

TECHNICAL SPECIFICATION

COLOURS

MFC ELEMENTS



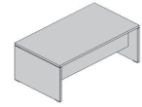
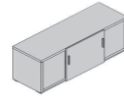
31 CANADIAN OAK



34 CHESTNUT



106 LOWLAND NUT



COLUMN COLOUR



08 BLACK



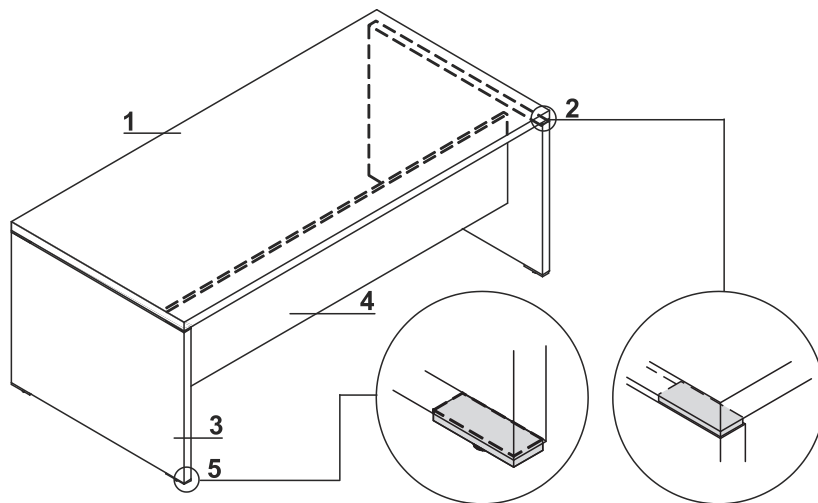
09 ALUMINUM



15 HIGH GLOSS WHITE

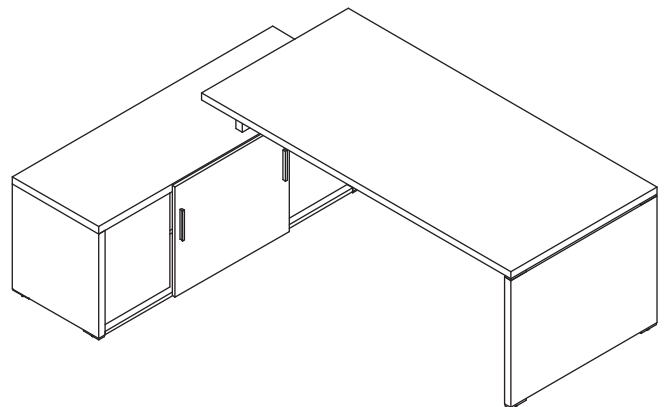
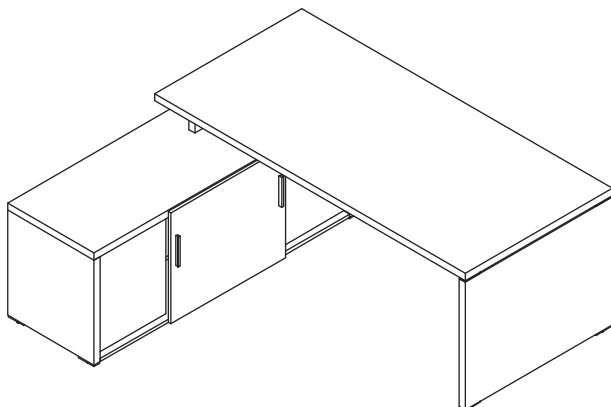


DESKS



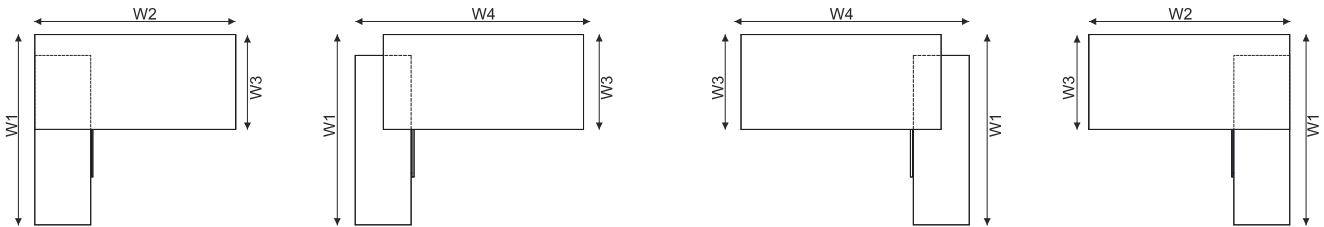
- 1. **Worktop** - MFC 38mm, PVC edge
- 2. **Top distance** - aluminium 100x34x9mm
- 3. **Base** - MFC 38mm, PVC edge
- 4. **Modesty panel** - MFC 18mm, PVC edge
- 5. **Leveling feet** - aluminium 100x34x9mm, range 5mm

POSSIBLE CONFIGURATIONS



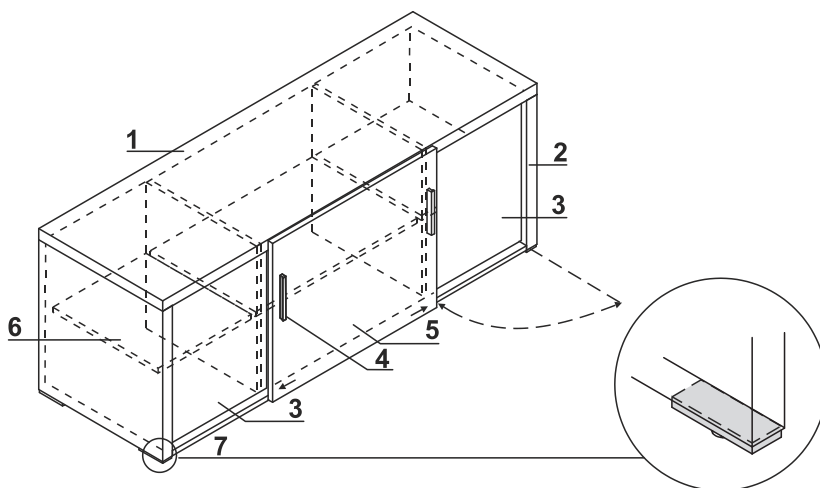
## TECHNICAL SPECIFICATION

### POSSIBLE CONFIGURATIONS



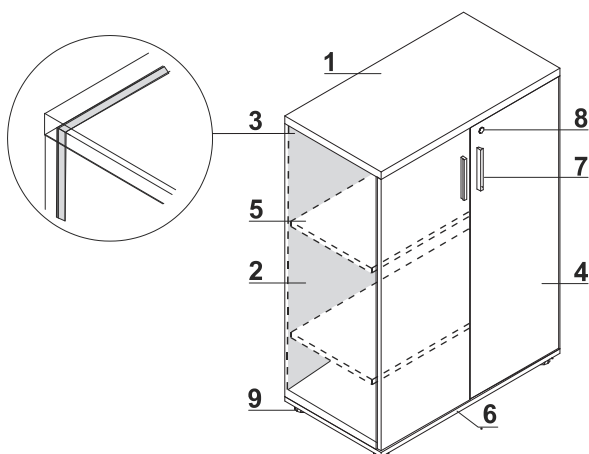
W1 - 1800mm | W2 - 1600mm/1900mm | W3 - 900mm | W4 - 1864/2164

## CREDENZA



1. **Top** - MFC 38mm, PVC edge
2. **Side panels** - MFC 38mm, PVC edge
3. **Front** - MFC 18mm, PVC edge
4. Aluminium handle
5. **Sliding front** - MFC 18mm, PVC edge
6. **Shelf** - MFC 18mm, PVC edge
7. **Leveling feet** - aluminium 100x34x9mm, range 5mm

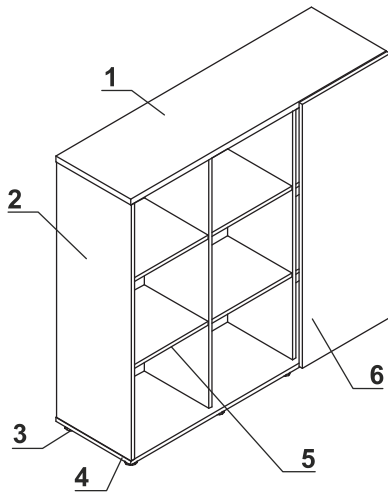
## STORAGES



1. **Top** - MFC 28mm, PVC edge
2. **Side panels** - MFC 18mm, PVC edge
3. **Back MFC** - 18mm, PVC edges
4. **Front** - MFC 18 mm, PVC edges, plain hinge 110°
5. **Shelf** - MFC 18mm, PVC edge
6. **Base** - MFC 18mm, PVC edge
7. Aluminium handle
8. Patent lock
9. **Leveling feet 27mm** - range 12mm

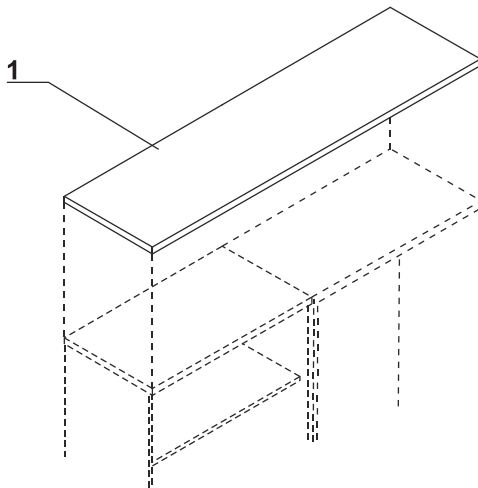
## TECHNICAL SPECIFICATION

### STORAGE WITH SLIDING FRONT - Q315



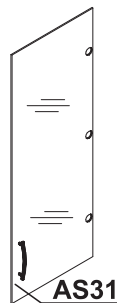
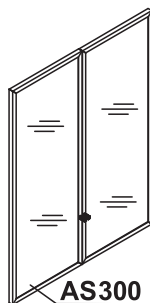
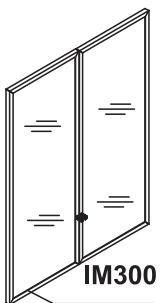
1. **Top** - MFC 28mm, PVC edge
2. **Side panels** - MFC 18mm, PVC edge
3. **Leveling feet 27mm** - range 12mm
4. **Base** - MFC 18mm, PVC edge
5. **Shelf** - MFC 18mm, PVC edge
6. **Sliding front** - MFC 18mm, PVC edge

### OPTIONAL STORAGE TOPS



1. **Top** - MFC 38mm, PVC edge

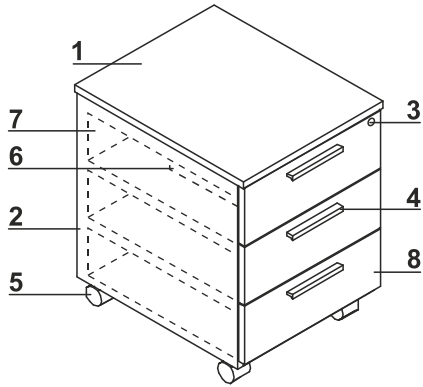
### ADDITIONAL ELEMENTS FOR STORAGE



- IM300**  
 - glass door 3OH  
 - transparent tempered glass 4mm, with aluminium frame
- AS300**  
 - glass door 3OH  
 - frosted tempered glass 4mm, with aluminium frame
- AS31**  
 - glass door 3OH  
 - transparent tempered glass 4mm  
 - universal (left,right)

## TECHNICAL SPECIFICATION

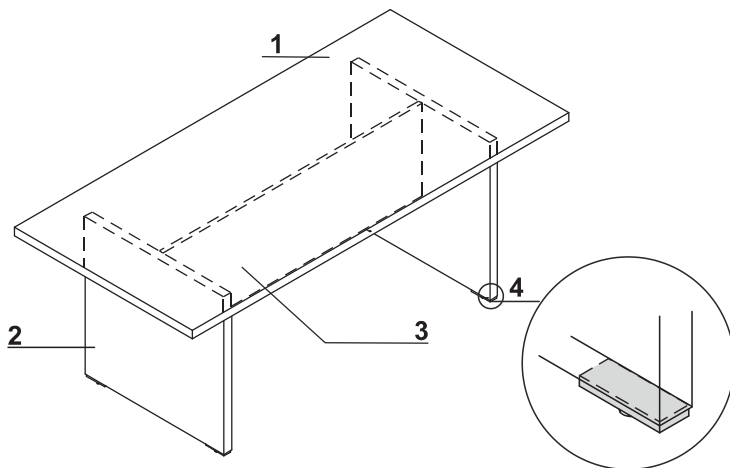
### MOBILE PEDESTAL QD13



1. **Top** - MFC 18mm, PVC edge
2. **Body** - MFC 18mm, PVC edge
3. **Central lock** - foldable key
4. Aluminium handle
5. **Castors** - Ø50mm, two with brakes
6. **Pencil tray** - black plastic
7. **MFC drawer** - roll runners, max load 25kg, 80% extraction; Anti - tilt mechanism
8. **Front** - MFC 18mm, PVC edge

---

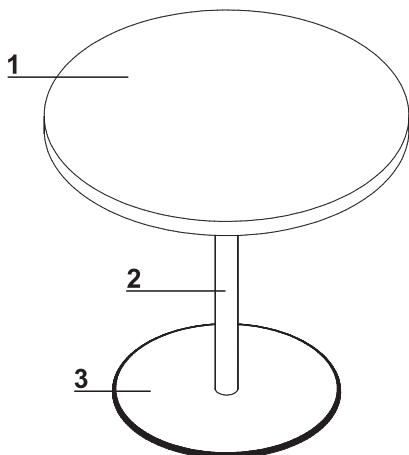
### MFC BASE MEETING TABLES



1. **Worktop** - MFC 38mm, PVC edge
2. **Base** - MFC 38mm, PVC edge
3. **Modesty panel** - MFC 18mm, PVC edge
4. **Leveling feet** - aluminium 100x34x9mm, range 5mm

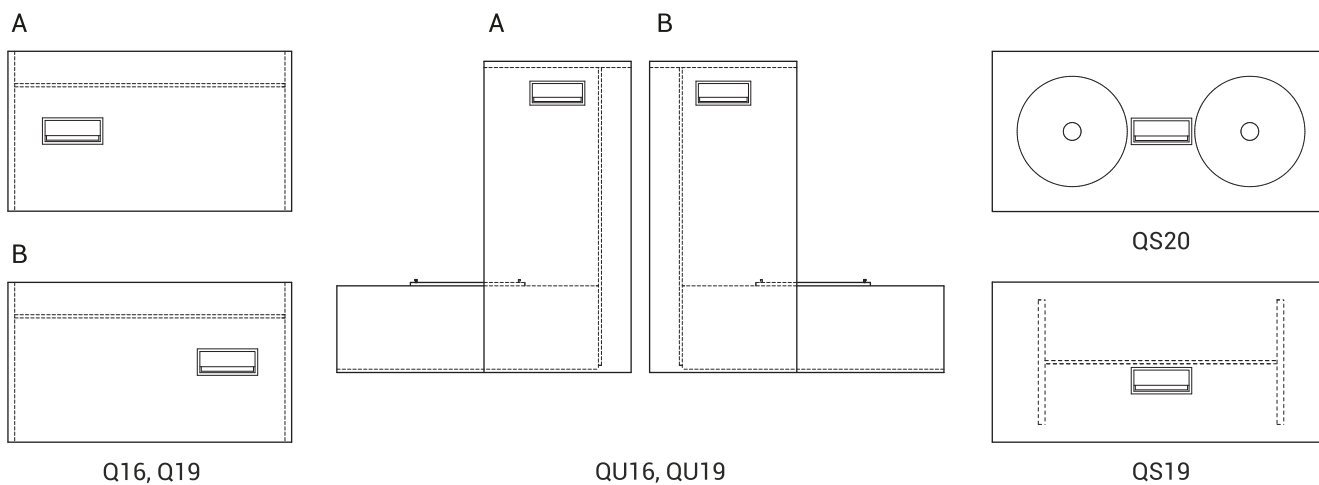
---

### DISC BASE MEETING TABLES



1. **Worktop** - MFC 38mm, PVC edge
2. **Column** - powder coated steel
3. **Disc** - stainless steel




## TECHNICAL SPECIFICATION



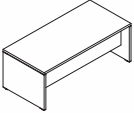
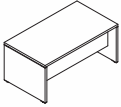
TO ORDER PRODUCT WITH MEDIABOX, AT THE END OF THE SYMBOL SHOULD BE ADDED A LETTER (A,B...) WHICH IS CORRESPONDING TO THE SELECTED CONFIGURATION (EX. X01A)

---

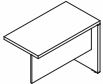
# QUANDO

PRODUCT ILLUSTRATION	DIMENSIONS [mm]			INDEX SYMBOL						COMMENTS
	WIDTH	DEPTH	HEIGHT			kg	m3	pcs		

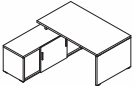
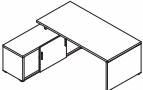
## DESKS

	1900	900	740	<b>Q19</b>		82.9	0.195	4		
	1600	900	740	<b>Q16</b>		73.0	0.168	4		

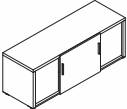
## DESK EXTENSION

	1000	550	740	<b>Q10</b>		27.0	0.066	1		universal left or right
---	------	-----	-----	------------	--	------	-------	---	--	-------------------------


## DESKS WITH MANAGERIAL SIDE STORAGE

	1864 1600	1800 900	740	<b>QU16</b>		138.5	0.323	5		universal system left or right
	2164 1900	1800 900	740	<b>QU19</b>		148.4	0.351	5		universal system left or right

## CREDENZA

	1600	550	610	<b>QR16</b>		81.0	0.186	2		
---	------	-----	-----	-------------	--	------	-------	---	--	--

## PEDESTAL

	402	600	590	<b>QD13</b>		30.0	0.142	1		
---	-----	-----	-----	-------------	--	------	-------	---	--	--






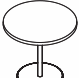

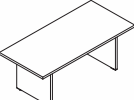
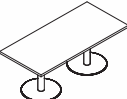
DESCRIPTION

 - NET WEIGHT

 VOLUME

 NUMBER OF PACKAGES


# QUANDO

PRODUCT ILLUSTRATION	DIMENSIONS [mm]			INDEX SYMBOL						COMMENTS
	WIDTH	DEPTH	HEIGHT			kg	m3	pcs		
	800	800	550	<b>QSL08</b>		30.0	0.077	2		
	800	800	740	<b>QS08</b>		36.0	0.089	2		
	800	800	740	<b>QS09</b>		35.0	0.113	3		
	1200	1200	740	<b>QS12</b>		60.0	0.165	3		
	1900	900	740	<b>QS19</b>		71.9	0.154	3		
	1900	900	740	<b>QS20</b>		100.9	0.240	5		




DESCRIPTION

 - NET WEIGHT



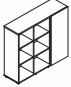
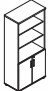
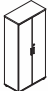
 VOLUME

 NUMBER OF PACKAGES

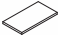
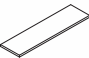
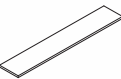
# QUANDO

PRODUCT ILLUSTRATION	DIMENSIONS [mm]			INDEX SYMBOL						COMMENTS
	WIDTH	DEPTH	HEIGHT			kg	m3	pcs		

## STORAGES

	801	432	1129	<b>Q35</b>		37.0	0.091	2		
	801	432	1129	<b>Q31</b>		43.0	0.116	3		
	1400	432	1280	<b>Q315</b>		72.0	0.187	3		sliding door
	801	432	1833	<b>Q54</b>		65.0	0.186	3		
	801	432	1833	<b>Q51</b>		75.0	0.213	3		


## OPTIONAL STORAGE TOPS

	806	434	38	<b>QT08</b>		8.5	0.023	1		
	1608	434	38	<b>QT16</b>		17.0	0.044	1		
	2410	434	38	<b>QT24</b>		26.0	0.066	1		

DESCRIPTION








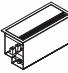
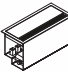

 - NET WEIGHT

 VOLUME

 NUMBER OF PACKAGES



# QUANDO

PRODUCT ILLUSTRATION	DIMENSIONS [mm]			INDEX SYMBOL						COMMENTS
	WIDTH	DEPTH	HEIGHT			kg	m3	pcs		
	397	5	1050	<b>AS31</b>		6.5	0.034	1		universal glass door (1pcs) 3OH, transparent tempered glass
	800	20	1050	<b>AS300</b>		10.3	0.037	1		glass doors (2pcs) 3OH aluminum frame, frosted tempered glass
	800	20	1050	<b>IM300</b>		10.0	0.039	1		glass doors (2pcs) 3OH aluminum frame, transparent tempered glass
	12	17	158	<b>HQ2</b>		0.1	0.000	1		handles QUANDO (2 pcs)
	275	120	140	<b>M04</b>		0.0	0.001	0		4x230V, 2xRJ45, 1xUSB
	275	120	140	<b>M04H</b>		0.0	0.001	0		4x230V, 2xRJ45, 1xUSB, 1xHDMI
	275	120	25	<b>M05</b>		0.3	0.002	1		TOP ACCESS

DESCRIPTION

 - NET WEIGHT

 VOLUME

 NUMBER OF PACKAGES