

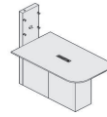
TECHNICAL SPECIFICATION

COLOURS

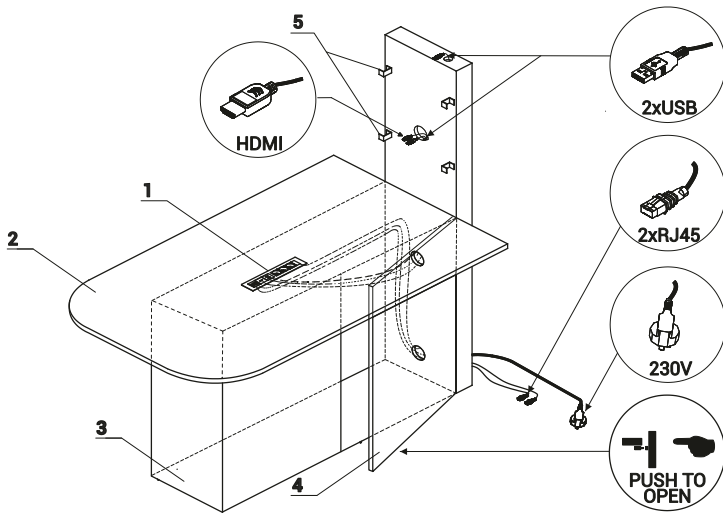
MS01



67 WHITE PASTEL



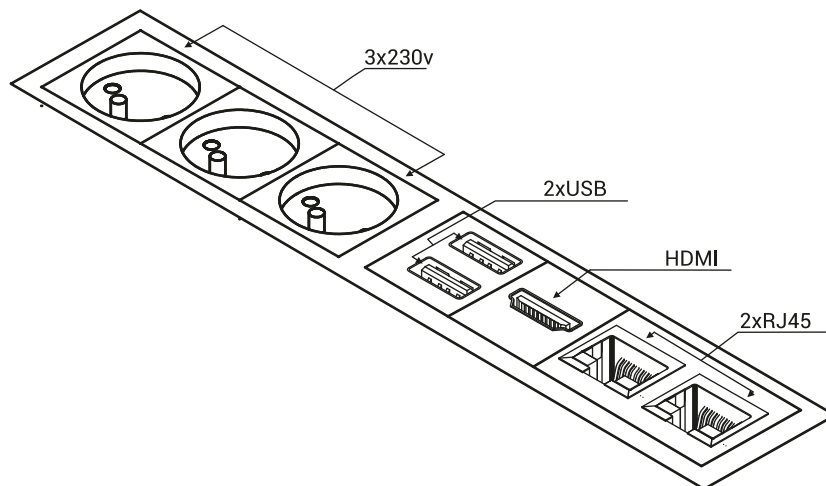
TECHNICAL SPECIFICATION



- 1. Mediabox
- 2. **Worktop** - MFC 28mm, PVC edge
- 3. Base and front MFC 28mm, PVC edges
- 4. **Front** - 'Push - to -Open', MFC 18mm, PVC edge
- 5. Handles □ vesa fixing, spacing 400x400mm, tv max weight 20kg

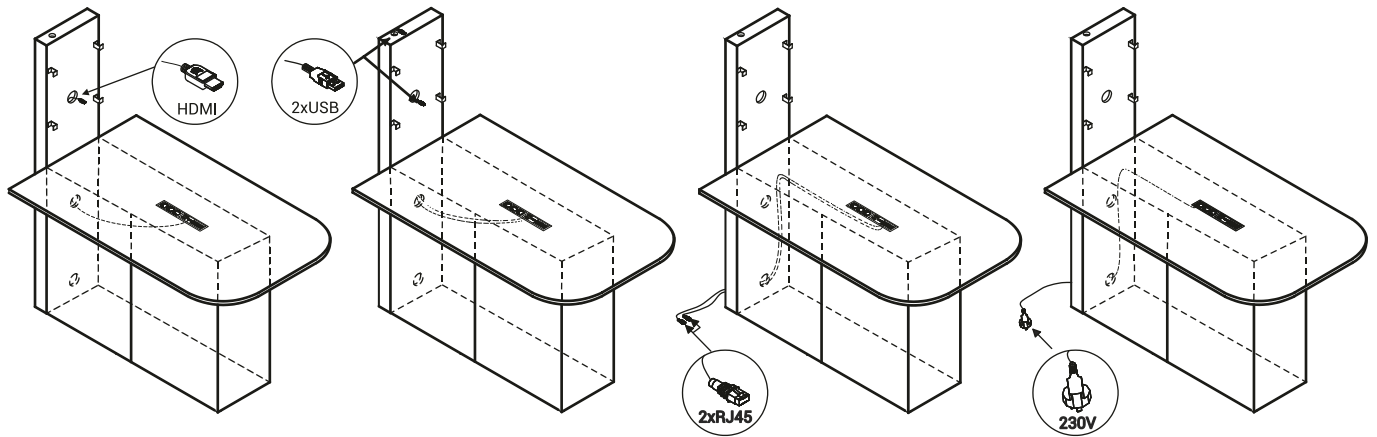
NOTE - SCHUCKO plugs only

MEDIABOX

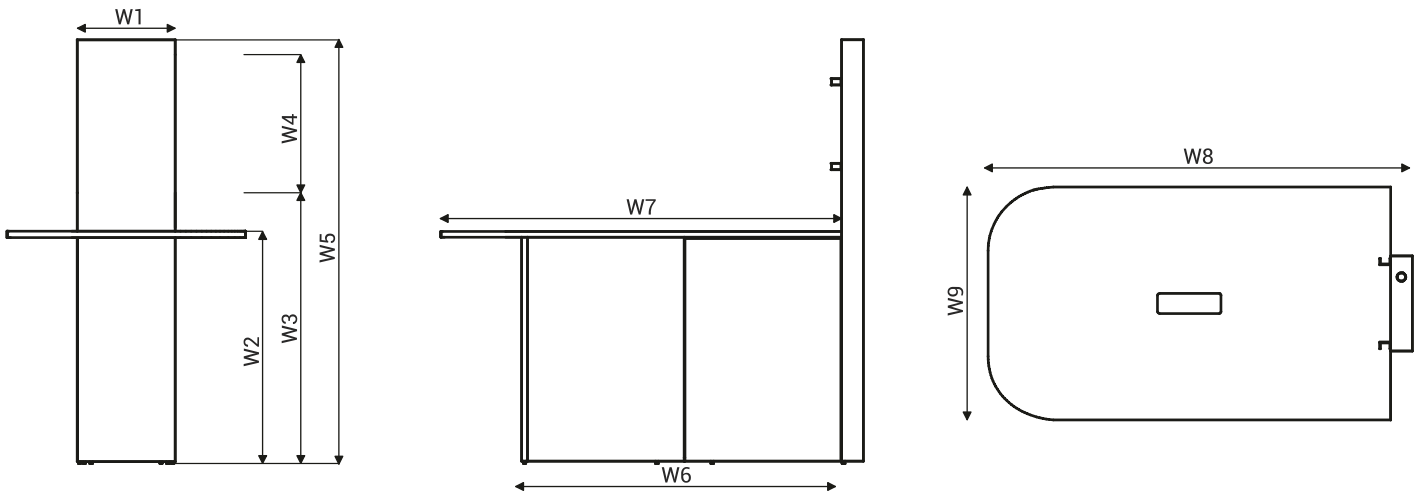


TECHNICAL SPECIFICATION

CABLE MANAGEMENT






DIMENSIONS



W1 - 450 | W2 - 1100 | W3 - 1282 | W4 - 655 | W5 - 2000 | W6 - 1478 | W7 - 1850 | W8 - 1950 | W9 - 1100

MULTIMEDIA STAND

PRODUCT ILLUSTRATION	DIMENSIONS [mm]			INDEX SYMBOL						COMMENTS
	WIDTH	DEPTH	HEIGHT			kg	m3	pcs		

MULTIMEDIA STAND

	1100	1950	2000	MS01		117.0	0.299	4		
---	------	------	------	-------------	--	-------	-------	---	--	--

DESCRIPTION

 - NET WEIGHT

 VOLUME

 NUMBER OF PACKAGES